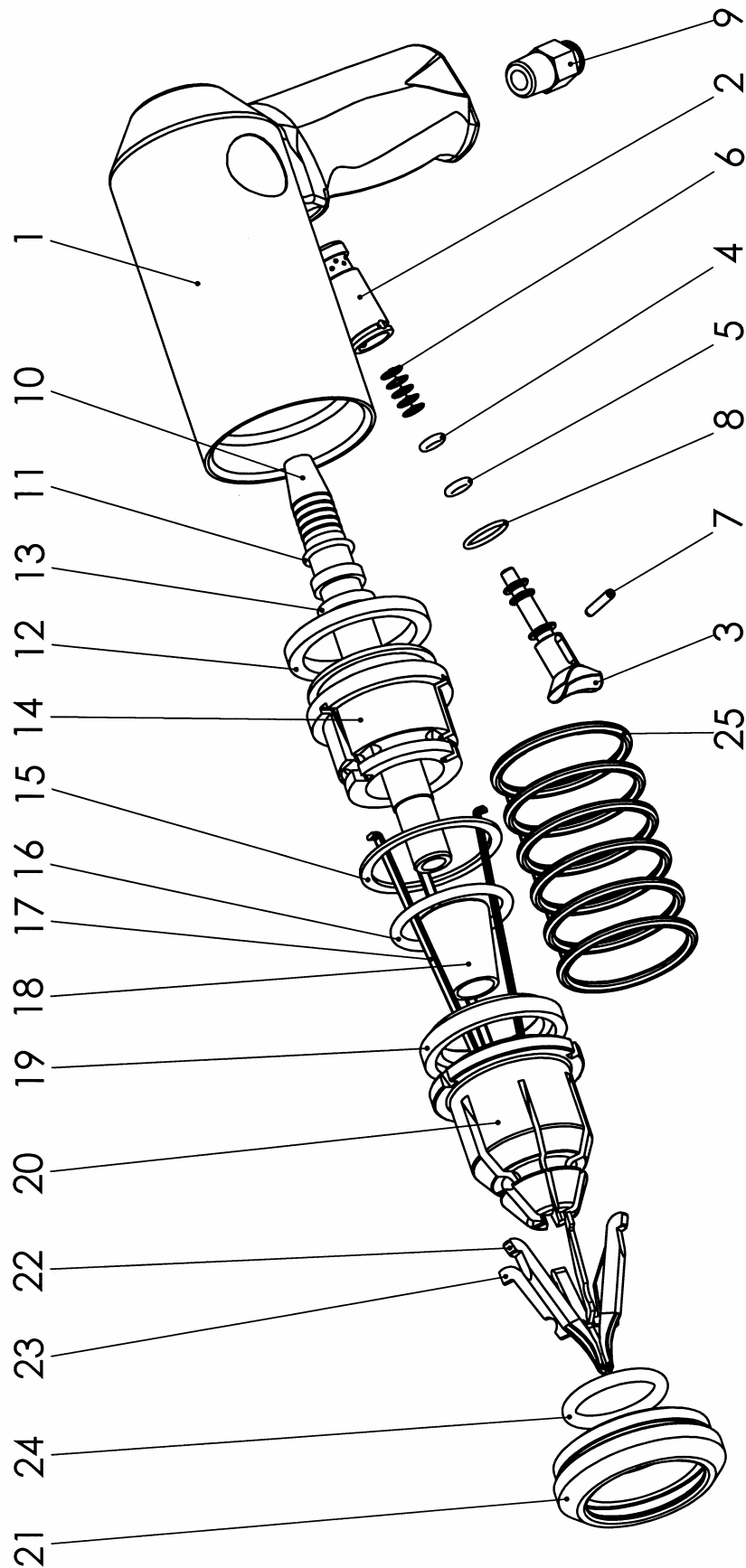


Exploded drawing AS-8



Spare parts list AS-8

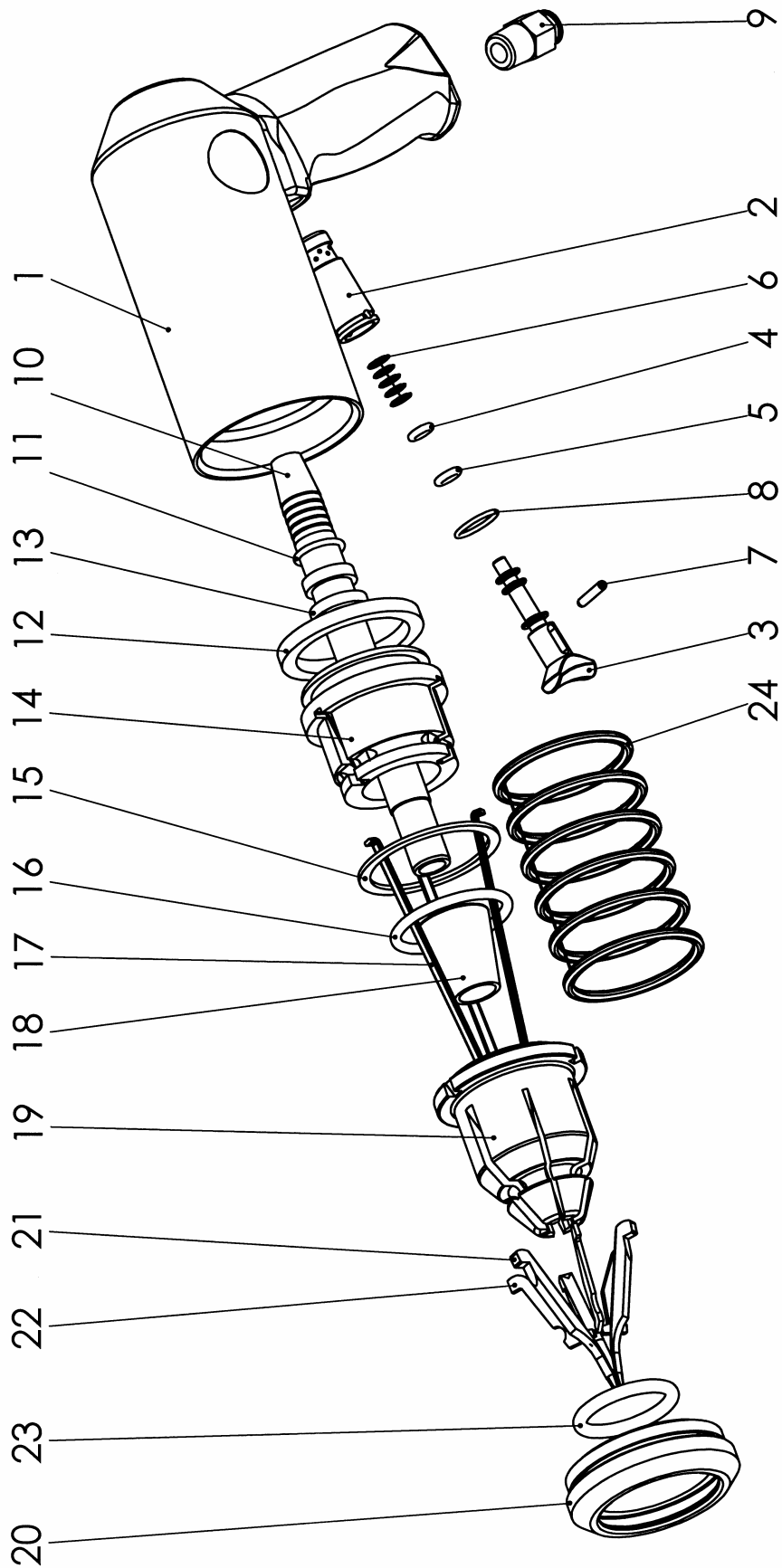
| Item | OKU-ID.-No. | Qty | Designation |
|------|-------------|-----|-------------------------------------|
| 1 | 00570045 | 1 | Hand grip |
| 2 | 00350728 | 1 | Bushing |
| 3 | 00470092 | 1 | Trigger for manual use |
| | 00470093 | 1 | Trigger for machine use |
| 4 | 00003463 | 1 | O-Ring |
| 5 | 00003404 | 1 | O-Ring |
| 6 | 00350297 | 1 | Compression spring |
| 7 | 00000536 | 1 | Dowel pin |
| 8 | 00003464 | 1 | O-Ring * |
| 9 | 00031539 | 1 | Coupling |
| 10 | 00470084 | 1 | Feeding tube 8,3 |
| 11 | 00003412 | 1 | O-Ring |
| 12 | 00003507 | 1 | Lip seal |
| 13 | 00003508 | 1 | Lip seal |
| 14 | 00470082 | 1 | Piston |
| 15 | 00350299 | 1 | Washer |
| 16 | 00003465 | 1 | O-Ring * |
| 17 | 00470083 | 3 | Insertion pin * |
| 18 | 00350292 | 1 | Bushing |
| 19 | 00350733 | 1 | Spacer ring for manual use |
| | 00350734 | 1 | Spacer ring for machine use |
| 20 | 00470088 | 1 | Head 8 |
| 21 | 00350294 | 1 | Lock nut |
| 22 | 00470180 | 3 | Special designed spreader fingers * |
| 23 | 00350295 | 3 | Separating finger |
| 24 | 00417280 | 1 | Spring lock D=21 * |
| 25 | 00350298 | 1 | Compression Spring |

| | | |
|----------|---|---|
| 00885027 | 1 | corrosion preventive-oil, aerosol can 100 ml (single) * |
| 00885028 | 1 | grease, tube 20 g (single) * |
| 20015510 | 1 | 1 aerosol can corrosion preventive-oil (100 ml) and 1 tube grease (20 g) as maintenance-set |

To the gun there is available a spare parts-set including the most important wear parts. It contains all in the spare parts list with * marked parts inclusive grease and corrosion preventive-oil-spray.

OKU-Id.-No. spare parts-set **AS-8:** **20015501**

Exploded drawing AS-9



Spare parts list AS-9

| Item | OKU-ID.-No. | Qty | Designation |
|------|-------------|-----|-----------------------------|
| 1 | 00570045 | 1 | Hand grip |
| 2 | 00350728 | 1 | Bushing |
| 3 | 00470092 | 1 | Trigger for manual use |
| | 00470093 | 1 | Trigger for machine use |
| 4 | 00003463 | 1 | O-Ring |
| 5 | 00003404 | 1 | O-Ring |
| 6 | 00350297 | 1 | Compression spring |
| 7 | 00000536 | 1 | Dowel pin |
| 8 | 00003464 | 1 | O-Ring * |
| 9 | 00031539 | 1 | Coupling |
| 10 | 00470085 | 1 | Feeding tube 8,3 |
| 11 | 00003412 | 1 | O-Ring |
| 12 | 00003507 | 1 | Lip seal |
| 13 | 00003508 | 1 | Lip seal |
| 14 | 00470082 | 1 | Piston |
| 15 | 00350299 | 1 | Washer |
| 16 | 00003465 | 1 | O-Ring * |
| 17 | 00470083 | 3 | Insertion pin * |
| 18 | 00350292 | 1 | Bushing |
| 19 | 00470089 | 1 | Head 9 |
| 20 | 00350294 | 1 | Lock nut |
| 21 | 00485167 | 3 | Spreader fingers * |
| 22 | 00350295 | 3 | Separating finger |
| 23 | 00417280 | 1 | Spring lock D=21 * |
| 24 | 00350298 | 1 | Compression Spring |
| (25) | 00350732 | 1 | Spacer ring for machine use |

| | | |
|----------|---|---|
| 00885027 | 1 | corrosion preventive-oil, aerosol can 100 ml (single) * |
| 00885028 | 1 | grease, tube 20 g (single) * |
| 20015510 | 1 | 1 aerosol can corrosion preventive-oil (100 ml) and 1 tube grease (20 g) as maintenance-set |

OKU-Id.-No. spare parts-set **AS-9**: **20015502**

* = included in the spare parts-set